



Quality & Reliability
Guaranteed

BRAND NEW! LSB LED BEACON



LSB050 (3-Point Fixing)



LSB020 (Magnetic)

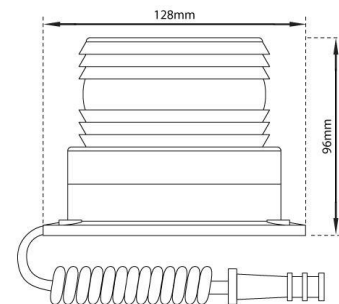
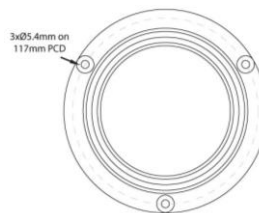
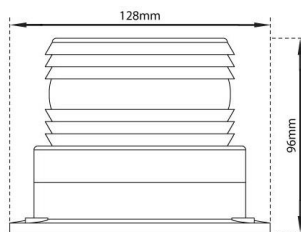


The **LSB** beacon from LAP Electrical is the **brand new** addition to the LED beacon range.

This small, dual voltage (**12/24V**) product is supplied with 2 flash patterns: rotating (default) and quad flash.

With **ECE R10 approval** and **1 year guarantee**, the economical LSB beacon is an ideal product for road, plant and agricultural vehicles.

The LSB is manufactured with 40 x ultra-bright SMD LEDs and is available with **magnetic base** and **3-point fixing** (PCD 117mm).



Refuse
Trucks



Utility
Vehicles



Plant &
Contracting



Agriculture

For further information and order placement please contact our sales team:

Brendan Priest – 07884 110 580

Sally Nixon – 0121 386 7377

Stewart Dowson – 0121 386 7379

Gary Richardson – 07724 830 184

Or e-mail us at enquiries@lapelec.co.uk



LAP Electrical Ltd.
Old Walsall Road, Great Barr,
Birmingham B42 1EA. U.K.
Tel: +44 (0)121 357 4205
Fax: +44 (0)121 358 0699
www.lapelec.co.uk
enquiries@lapelec.co.uk