



LAP ELECTRICAL LTD

LED-3A

MINI LED WARNING LIGHT

NEW PRODUCT

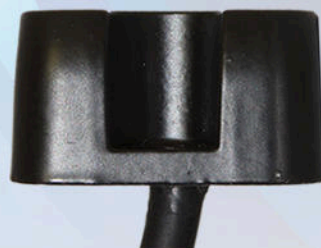
Our new mini LED-3A warning module is now available.

Specifications

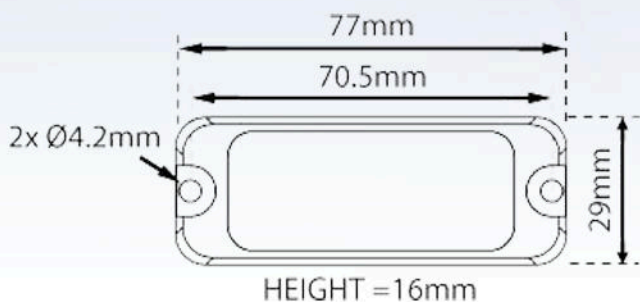
- ECE R65 approved
- EMC R10 approved
- Meets IP56 rating
- 1 year warranty
- 10 flash patterns (single flash ECE R65 approved)
- Multiple units can be linked for synchronised flash



Only 16mm height



Supplied with on/off and flash pattern changing switches



Please contact the distributor above for more information