



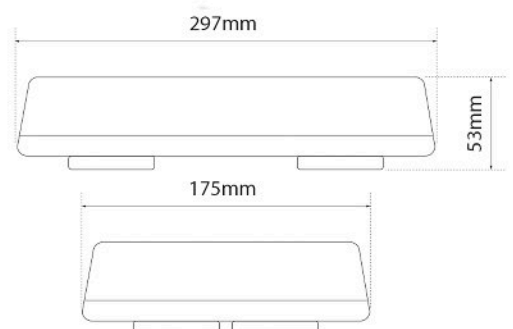
MINI R65 LED LIGHTBARS

NEW PRODUCT

LAP1220R65MAG & LAP1220R65SP

ECE R65 approved versions of our popular 'LAP1220' mini LED lightbars are now available in MAGNETIC and SINGLE POINT fixings

- Dual Voltage (12/24V)
- EMC (ECE R10) & ECE R65 Approved
- Amber Polycarbonate Lens and ABS Base
- Extremely Low Power Consumption (1.4A @ 12V & 0.7A @ 24V)
- 10 Flash Patterns with Single Flash meeting R65 Approval
- Compact design 297 x 175 x 53mm
- 20 x 3W White LEDs
- 12 Month Warranty



Please contact your distributor below for more information

