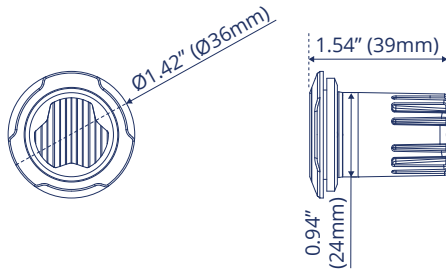


RECESSED AND SURFACE MOUNT LED MODULES

RM3 - 16 Flash Patterns



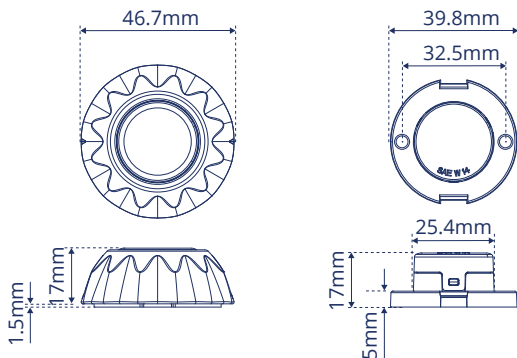
Part No	Voltage	Colour
RM3A	12/24V	Amber
RM3B	12/24V	Blue



Main Features

- EMC approved (ECE R10)
- ECE R65 approved
- 3 x LED Light
- Long life LED technology rated to 100,000 hours of operation
- Multiple units can be linked for synchronised / alternate flash
- Fully weatherproof and vibration resistant
- Aluminium base for efficient heat dissipation and maximum durability
- Max. Current: 0.48A @12VDC / 0.24A @24VDC

SM3 - 12 Flash Patterns



Part No	Voltage	Colour
SM3A	12/24V	Amber
SM3B	12/24V	Blue

Main Features

- EMC approved (ECE R10)
- 3 x LED Light
- 0.67" (17mm) Super low-profile thickness
- Internal installation in vehicle lamp with 1" (25.4mm) cut-out
- External surface mount on vehicle body with flange
- Multiple units can be linked for synchronised / alternate flash
- Max. Current: 0.47A @12VDC / 0.24A @24VDC