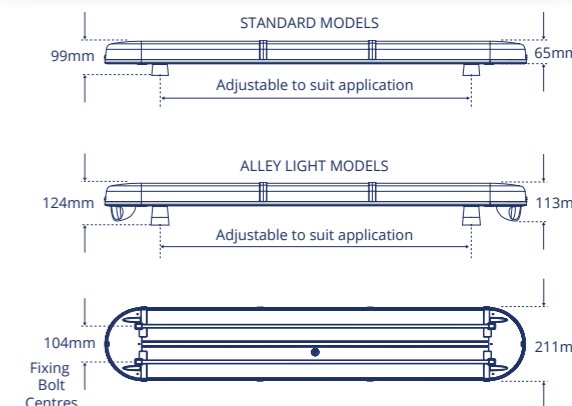


# Lightning TITAN LED Lightbar (R65 Approved)

Featuring four ECE R65 approved flash patterns and three operating modes, the Lightning TITAN LED lightbar is a highly versatile addition to our UK manufactured lightbar range.

The advanced electronic control unit of the Lightning TITAN lightbar enables additional front and rear facing LED modules to be specified for enhanced visual warning.



## Main Features

- Multi-voltage (10-30V)
- 2ft (0.6m), 2½ft (0.76m), 3ft (0.9m), 4ft (1.2m), 5ft (1.5m) & 6ft (1.8m) models available
- Four R65 approved flash patterns (single, double, triple, quad flash)
- R65 amber (Class 1) and blue (Class 2) models available
- Three selectable operating modes - Simultaneous, Left/Right and Front/Back
- Airport flash mode available
- Amber or clear polycarbonate lenses
- Extruded aluminium base
- Fully encapsulated electronic control module
- Opal, clear or amber centre sections available
- 4-bolt mounting fix / high rise feet option
- Extreme temperature reliability -30° to +50°
- 2ft Magnetic models available (40mph max. speed)
- 2.5 metre multi-core cable

Model shown: LBL4812AC/IS

### Special Request Lightbar Service

As we manufacture all our TITAN lightbars at our UK production facility we can accommodate any specification that you require. Simply contact our customer services team and we will be happy to assist.

Components	Current Consumption @ 12V	Current Consumption @ 24V
R65 LED Module (x1)	0.5A	0.3A
Centre Illumination (x1)	0.4A	0.2A
External Alley Light (x1)	0.3A	0.2A
Hazard Light (x1)	0.3A	0.2A
Stop, Tail, Indicator (x1)	0.6A	0.3A
LED Worklamp (x1)	1.0A	0.5A

### CUSTOMISE YOUR LIGHTNING TITAN LIGHTBAR

- LED Stop, Tail, Indicator Light
- Internal & External Alley Lights
- Amber Lens with White LEDs
- Front & Rear Hazard Lights
- 100mm & 150mm 'Z' Shaped Brackets
- Opaque/Illuminated Centre & Signage
- External LED Work Lamps
- Populate with Extra LED Modules

Lightning TITAN LED Lightbar Model Guide

2 LED Module - Amber 	2 LED Module - White 	Centre Illumination (I) 	Opaque White Centre (O) 	Stop, Tail, Indicator Light (S) 	Hazard Light (H) 	Magnetic (MAG) 	Alley Light (A) 	External LED Worklamps (X) 
--------------------------	--------------------------	-----------------------------	-----------------------------	-------------------------------------	----------------------	--------------------	---------------------	--------------------------------

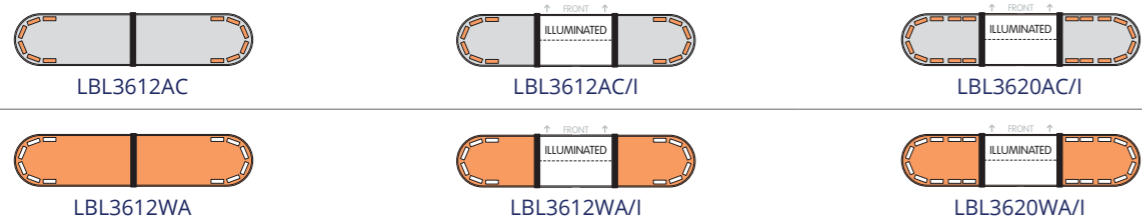
Lightbar Length - 2ft (610mm)



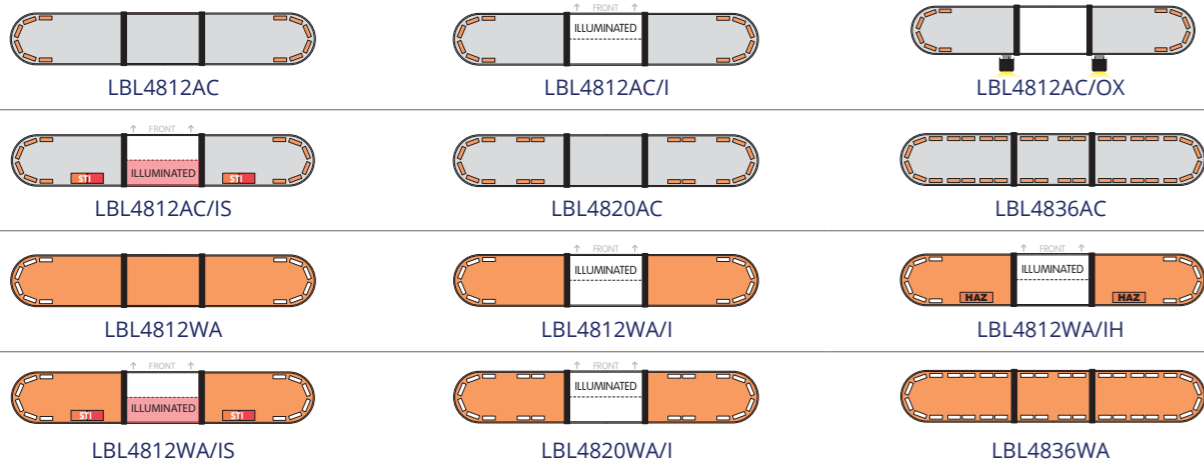
Lightbar Length - 2½ft (762mm)



Lightbar Length - 3ft (915mm)



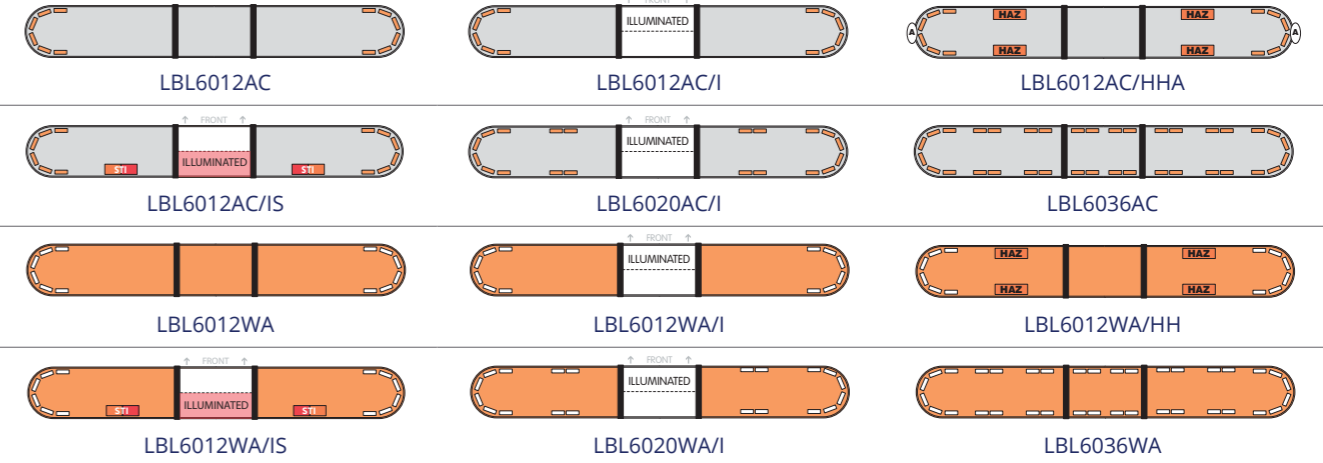
Lightbar Length - 4ft (1220mm)



Lightning TITAN LED Lightbar Model Guide

2 LED Module - Amber 	2 LED Module - White 	Centre Illumination (I) 	Opaque White Centre (O) 	Stop, Tail, Indicator Light (S) 	Hazard Light (H) 	Magnetic (MAG) 	Alley Light (A) 	External LED Worklamps (X) 
--------------------------	--------------------------	-----------------------------	-----------------------------	-------------------------------------	----------------------	--------------------	---------------------	--------------------------------

Lightbar Length - 5ft (1524mm)



Lightbar Length - 6ft (1828mm)

