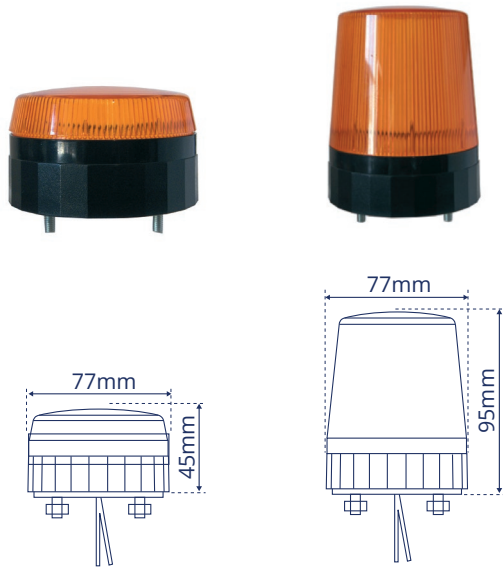


LOW PROFILE XENON BEACONS (DLP and DLT Range)

1 YEAR WARRANTY



Main Features

- EMC approved
- Multi-voltage (10-100V)
- IP67 rated ingress protection
- 2 & 5 Watt versions
- -30 to +50°C extreme temperature reliability
- Nominal flash rate: 75 per minute
- Single flash

Lens Colours Available



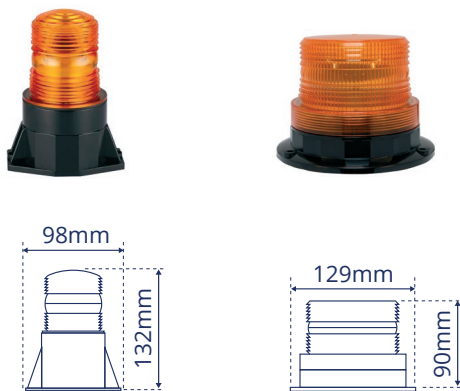
2W Model	DLP2MVA	DLT2MVA
5W Model	DLP5MVA	DLT5MVA
Fitting	2 Point	2 Point
Weight	0.2KG	0.2KG

CURRENT CONSUMPTION (A)

Voltage	12V	24V	48V	80V	100V
2W Models	0.18	0.16	0.12	0.09	0.07
5W Models	0.26	0.23	0.15	0.12	0.01

MULTI-VOLTAGE XENON BEACONS (XCBMV Range)

2 YEAR WARRANTY



Main Features

- EMC approved
- Multi-voltage (10-80V)
- IP67 rated ingress protection
- -30 to +50°C extreme temperature reliability
- Nominal flash rate: 75 per minute

Lens Colours Available



Part No.	XCBMV2111	XCBMV1611
Fitting	2 Point	3 Point
Weight	0.5KG	0.5KG

CURRENT CONSUMPTION (A)

Voltage	12V	24V	48V	80V	100V
2W Models	0.17	0.15	0.12	0.09	0.07