

LED R65 BEACONS (LRB Range)



We have combined the latest LED technology with advanced optics to provide this unique ECE Reg 65 LED beacon. The powerful LEDs are arranged to produce a brilliant 360 degree flash pattern to provide superior light output for maximum visibility.



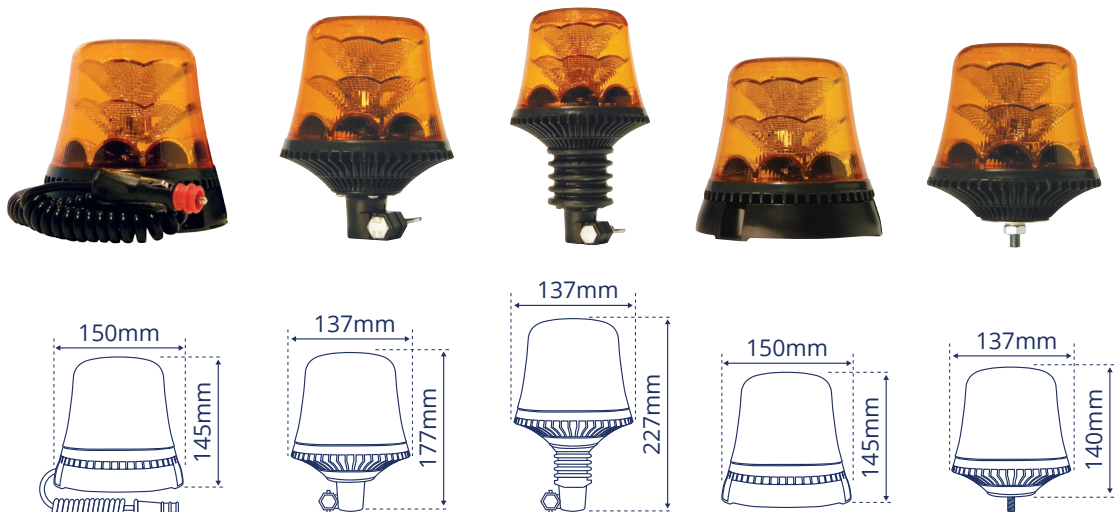
Main Features

- Multi-voltage (10-30V)
- 70mph rated on magnetic version
- IP56 rated ingress protection
- Nominal flash rate: 120 per minute
- Very low power consumption
- Double flash
- Current consumption: 2.0A @ 12V / 1.3A @ 24V
- -30°C to +50°C extreme temperature reliability

Lens Colours Available



Amber



Part No.	LRB020	LRB030	LRB040	LRB050	LRB060
Fitting	Magnetic	DIN	Flexi DIN	3 Point	Single Point
Weight	1.4KG	0.9KG	1.1KG	0.9KG	0.9KG