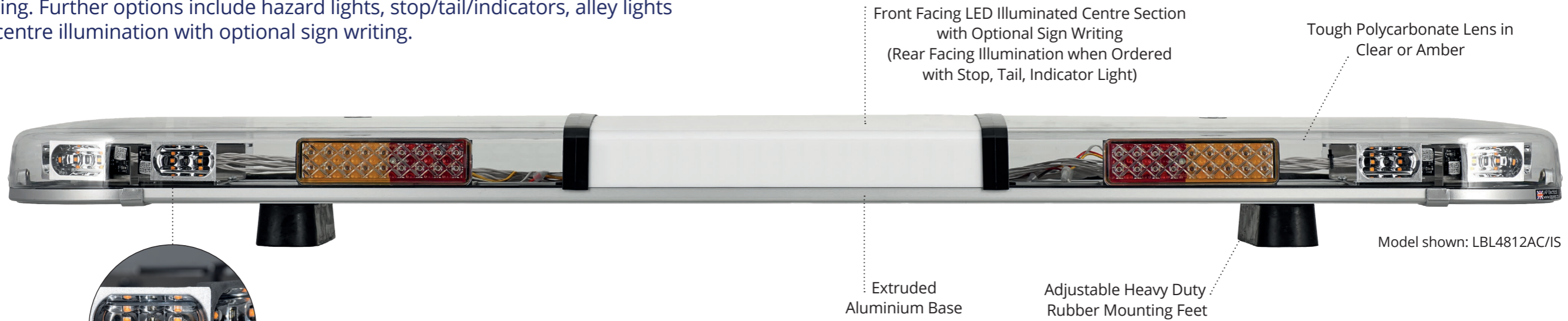


LIGHTNING TITAN LED LIGHTBARS

Featuring four ECE R65 approved flash patterns and three operating modes, the LIGHTNING TITAN LED lightbar is a highly versatile addition to our UK manufactured lightbar range.

The advanced electronic control unit of the LIGHTNING TITAN lightbar enables additional front and rear facing LED modules to be specified for enhanced visual warning. Further options include hazard lights, stop/tail/indicators, alley lights and centre illumination with optional sign writing.



Unique R65 Warning Modules
Featuring 2 x 3W LEDs -
Four selectable R65 approved flash patterns

Main Features

- Dual Voltage (12/24V)
- 2ft (0.6m), 2½ft (0.76m), 3ft (0.9m), 4ft (1.2m), 5ft (1.5m) & 6ft (1.8m) models available
- Four R65 approved flash patterns (single, double, triple, quad flash)
- R65 amber (Class 1) and blue (Class 2) models available
- Three selectable operating modes - Simultaneous, Left/Right and Front/Back
- Airport flash & cruise modes available
- Amber or clear polycarbonate lenses
- Extruded aluminium base
- Fully encapsulated electronic control module
- Opal, clear or amber centre sections available
- 4 bolt mounting fix / High rise feet option
- Extreme temperature reliability -30° to +50°
- 2ft Magnetic models available
- 2.5 metre multi-core cable

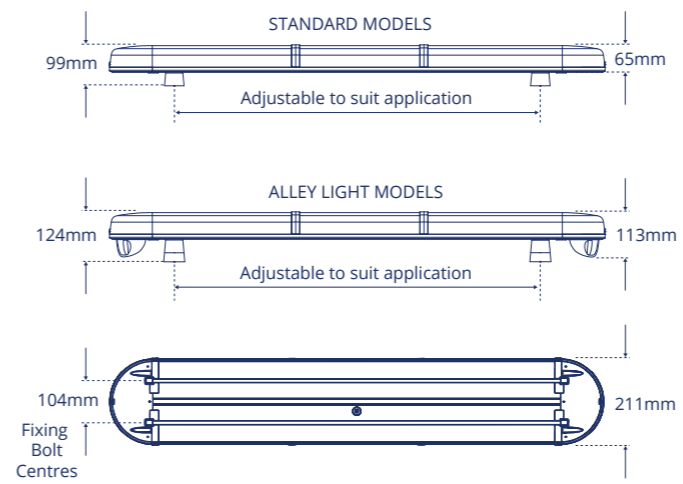
OPTIONAL EXTRAS AVAILABLE

LED Stop, Tail, Indicator Light

LED R65 Directional Hazard Light

LED Alley Light Configuration

Sign Writing



Now available with blue LEDs - R65 Class 2 Approved (clear lens)

Special request lightbar service
As we manufacture all our TITAN lightbars at our UK production facility we can accommodate any specification that you require. Simply contact our customer services team and we will be happy to assist.

Components	Current Consumption 12V	Current Consumption 24V
R65 LED Module (x1)	0.50A	0.30A
Centre Illumination (x1)	0.40A	0.20A
Alley Light (x1)	0.30A	0.15A
Hazard Light (x1)	0.30A	0.15A
Stop, Tail, Indicator (x1)	0.60A	0.30A

LIGHTNING TITAN LED LIGHTBAR Model Guide *These lightbar drawings are for illustration purposes only*

2 LED Module - AMBER 	2 LED Module - WHITE 	Stop, Tail, Indicator Light 	Hazard Light 	Magnetic 
---	---	--	--	---

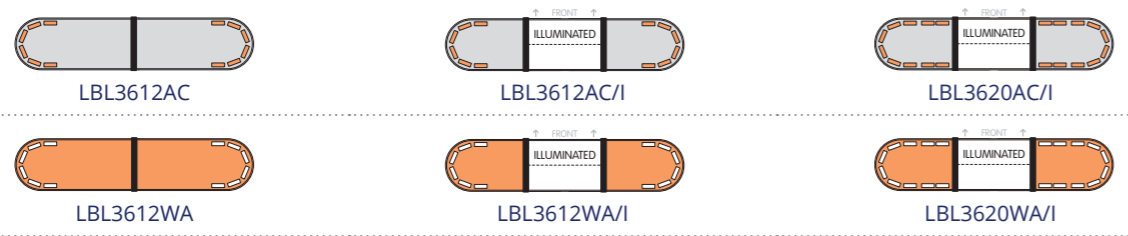
Lightbar Length - 2ft (610mm)



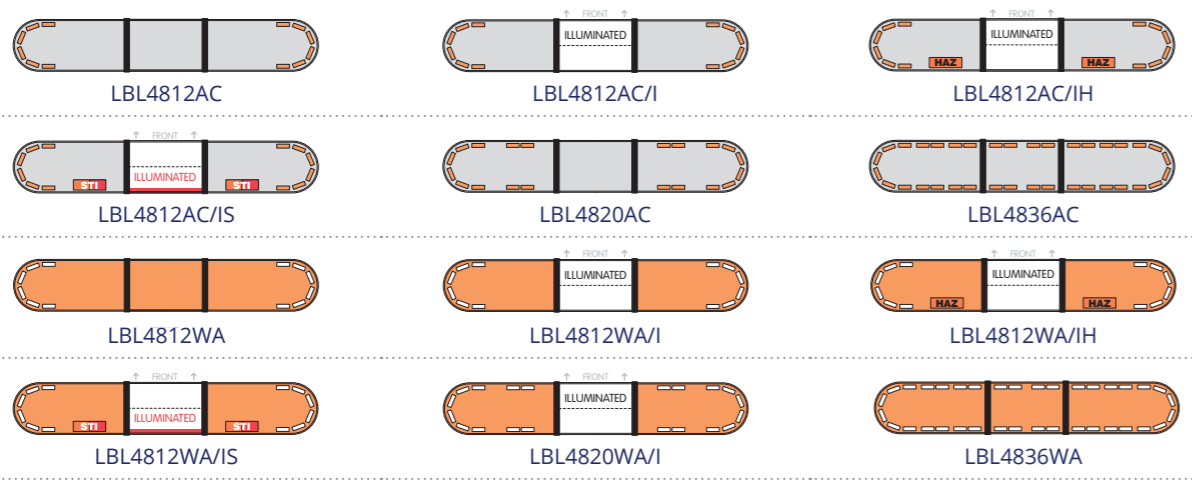
Lightbar Length - 2½ft (762mm)



Lightbar Length - 3ft (915mm)



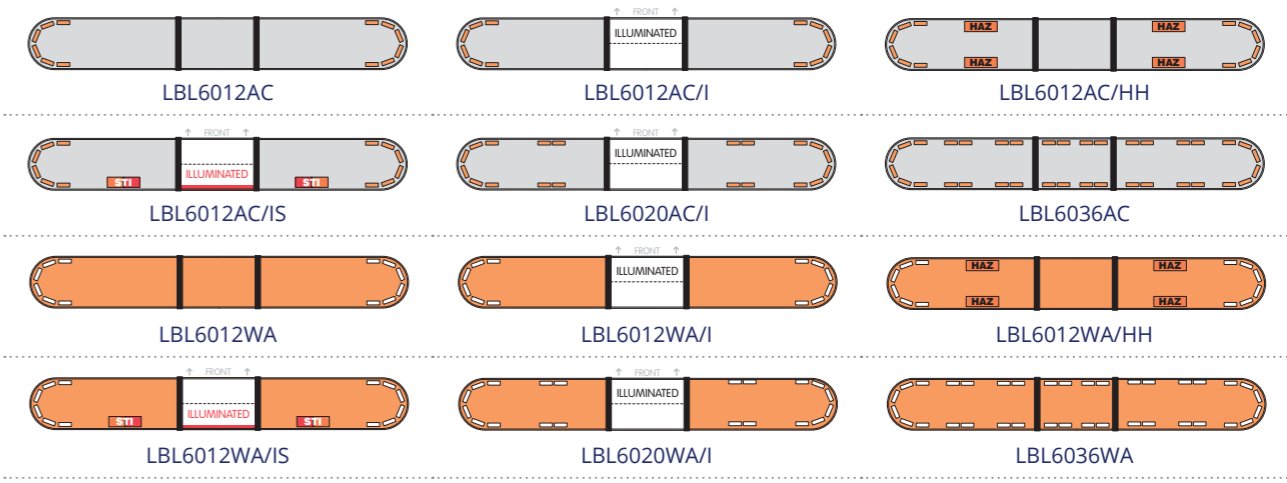
Lightbar Length - 4ft (1220mm)



LIGHTNING TITAN LED LIGHTBAR Model Guide *These lightbar drawings are for illustration purposes only*

2 LED Module - AMBER 	2 LED Module - WHITE 	Stop, Tail, Indicator Light 	Hazard Light 	Magnetic 
---	---	--	---	---

Lightbar Length - 5ft (1524mm)



Lightbar Length - 6ft (1828mm)

