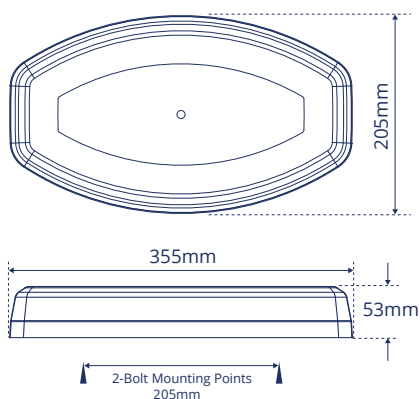
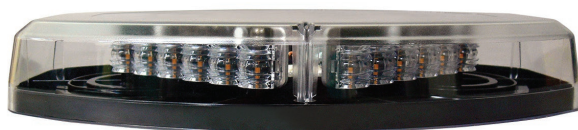


# MINI LED LIGHTBARS (LAP1424 Range)

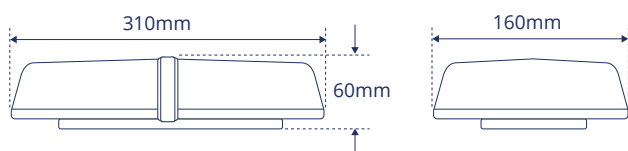


## Main Features

- Dual Voltage (12/24V)
- Clear polycarbonate lens
- Current consumption (Avg/Max): 2.9/5.8A @ 12V, 1.4/2.9A @ 24V
- 23 flash patterns with double flash meeting R65 approval
- 24 x 3W amber LEDs
- 2-Bolt models can be linked for synchronised flash

Part No	No. of Modules	No. of LEDs	LED Rating	Mounting
LAP1424MAG	4	24	3W	Magnetic
LAP1424TB	4	24	3W	Two Bolt

# MINI LED LIGHTBARS (LAP1224 Range)



## Main Features

- Dual Voltage (12/24V)
- Clear polycarbonate lens
- Available in magnetic and single point fixings
- Aluminium base
- Low power consumption - 12V max 2A, 24V max 1A
- 8 flash patterns
- 24 x 1W amber LEDs

Part No	No. of Modules	No. of LEDs	LED Rating	Mounting
LAP1224MAG	6	24	1W	Magnetic
LAP1224SP	6	24	1W	Single Point

