

LED R65 MODULES



LED-3A - 10 Flash Patterns



Main Features

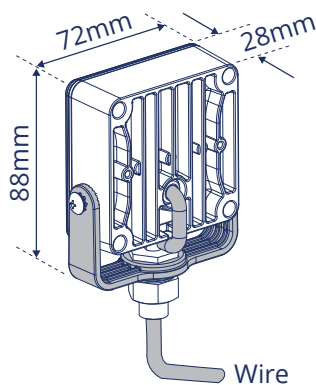
- 3 x LED Light
- IP56 rated ingress protection
- Multiple units can be linked for synchronised / alternate flash
- Single flash meets R65
- Supplied with on/off and flash pattern changing switches

Specifications:

- Lens: Polycarbonate
- Base: Aluminium
- Weight: 0.09Kg
- Current draw: 12V - 700mA
- Dimensions: 77 (w) x 29 (d) x 16mm (h)

Part No	Voltage	Colour	ECE R65
LED-3A	12/24V	Amber	✓

SQ4 - 5/18 Flash Patterns



Main Features

- SQ4A: 4 x 3W LEDs - Double flash meets R65
- Steady on function
- Supplied with single point fix adjustable mounting bracket
- Multiple units can be linked for synchronised / alternate flash
- IP67 rated ingress protection
- Max. Current: 0.55A @ 12.8V / 0.26A @ 24V
- Polycarbonate lens with diecast housing

Part No	Voltage	Colour	Flash Patterns	ECE R65
SQ4A	12/24V	Amber	5	✓
SQ4B	12/24V	Blue	18	
SQ4R	12/24V	Red	18	
SQ4W	12/24V	White	18	

