

LED R65 BEACONS (LFB Range)



The LFB range features a robust polycarbonate fresnel lens and 12 x 3W high performance LEDs that can operate in four flash patterns.

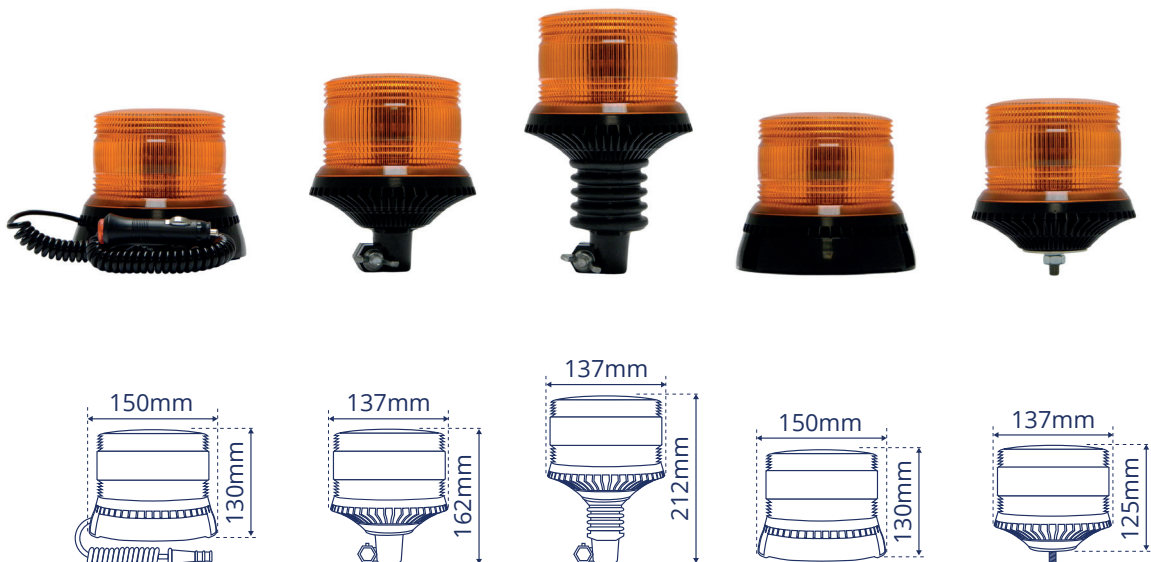


Main Features

- Multi-voltage (10-30V)
- 70mph rated on magnetic version
- R65 approved for amber lens only
- IP56 rated ingress protection
- Nominal flash rate: 120 per minute
- 3-Point and single point models can be linked for synchronised flash
- Current consumption: 2.0A @ 12V / 1.3A @ 24V
- -30°C to +50°C extreme temperature reliability

**Double flash only on DIN and Flexi-DIN models*

Lens Colours Available



Part No.	LFB020	LFB030	LFB040	LFB050	LFB060
Fitting	Magnetic	DIN	Flexi DIN	3 Point	Single Point
Weight	1.2KG	0.7KG	0.9KG	0.7KG	0.7KG