

# LED COMPACT BEACONS (LCB Range)

R10

2 YEAR WARRANTY

Our LED Compact Beacons feature 4 x 4W high powered LEDs with advanced optics and are ideal for off-road use whilst also being suitable for a variety of vehicle applications.

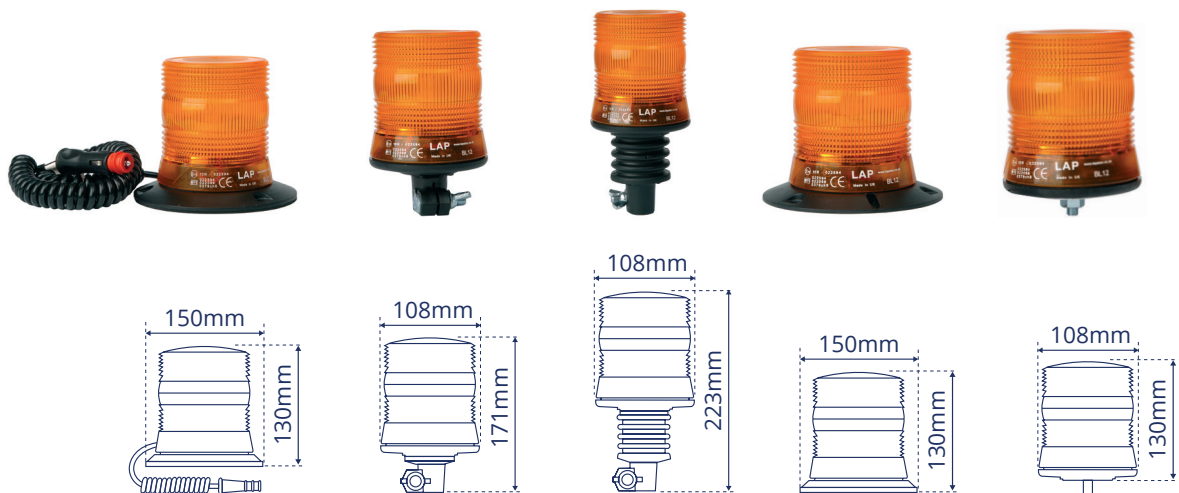


## Main Features

- Multi-voltage (10-30V)
- 70mph rated on magnetic version
- IP56 rated ingress protection
- Nominal flash rate: 80 per minute
- Double flash
- Current consumption: 0.6A @ 12V / 0.3A @ 24V
- -30°C to +50°C extreme temperature reliability



## Lens Colours Available



Part No.	LCB020	LCB030	LCB040	LCB050	LCB060
Fitting	Magnetic	DIN	Flexi DIN	3 Point	Single Point
Weight	1.0KG	0.5KG	0.6KG	0.4KG	0.4KG