

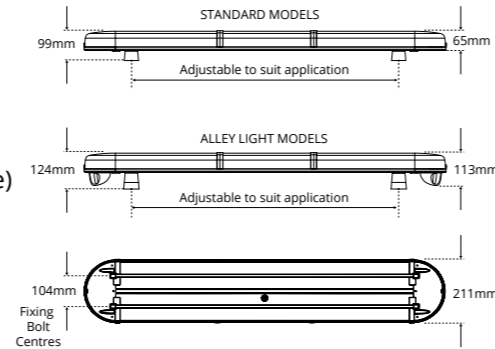
**COMPLETE
LIGHTBAR
SOLUTIONS**

CLASSIC
TITAN
LED LIGHTBAR RANGE

Classic TITAN



Designed and manufactured in the UK, the Classic TITAN lightbar is built to your exact requirements, offering a variety of flexible options to suit multiple vehicle applications.



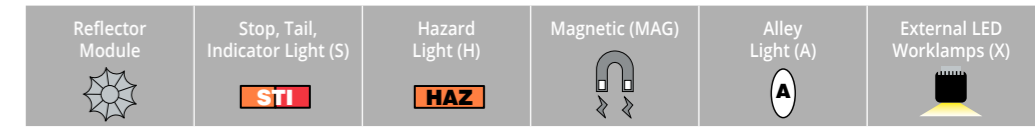
Components	Current Consumption @ 12V / 24V
R65 LED Amber Module (x1)	2.0A / 1.0A
Centre Illumination (x1)	0.4A / 0.2A
Alley Light (x1)	0.3A / 0.2A
Hazard Light (x1)	0.3A / 0.2A
Stop, Tail, Indicator (x1)	0.6A / 0.3A
LED Worklamp (x1)	1.0A / 0.5A

Customisation is Key... Choose from a variety of optional extras and customise Classic TITAN to build your ideal lightbar.



Classic TITAN LED Lightbar Model Guide

There are hundreds of possible Classic TITAN lightbar combinations and below is just a small selection of our most popular bars. Contact the LAP sales team to discuss your ideas or requirements.



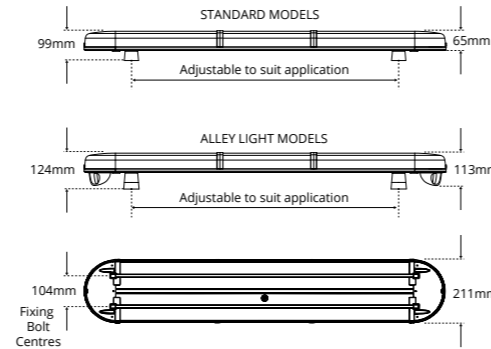
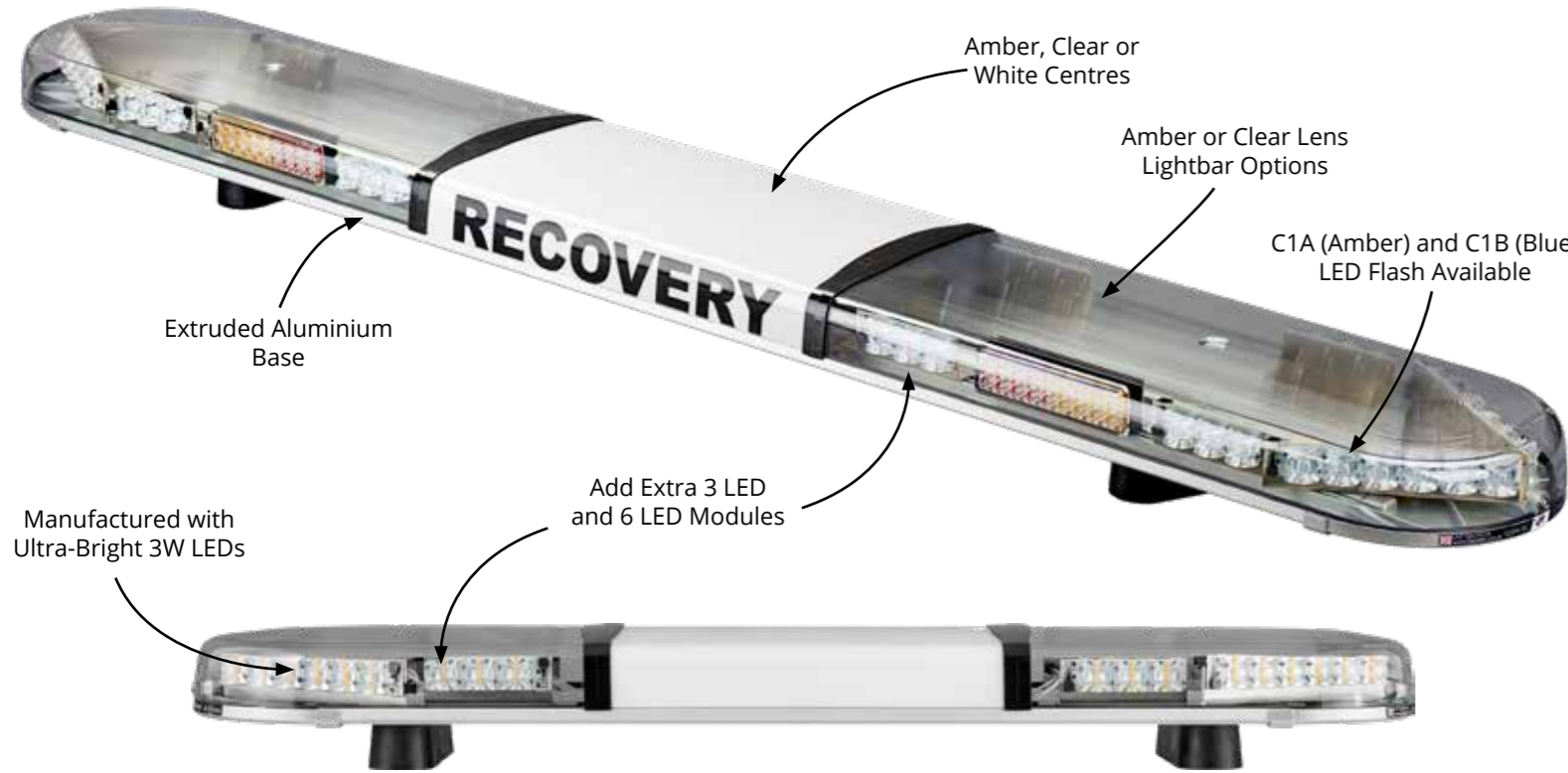
2ft/610mm Length LB242AC			 LB242AC/MAG		 LB242WA		2.5ft/762mm Length LB302AC			 LB302AC/S		 LB302WA/H					
3ft/915mm Length LB362AC					 LB362AC/I			 LB362AC/S		 LB362WA/O		 LB362WA/S					
4ft/1220mm Length LB482AC/IS				 LB482AC/OX			 LB484AC/I		 LB484WA								
5ft/1524mm Length LB602AC						 LB604AC/ISHA				 LB604WA/O							
6ft/1828mm Length LB724AC/H										 LB724AC/IS				 LB724WA/OSHA			



Hurricane TITAN



The new Hurricane TITAN uses 4 x 6 LED modules to create 360° of R65 approved warning light. Add extra 3 LED and 6 LED modules to your Hurricane TITAN for extra warning light.



Components	Current Consumption @ 12V / 24V
6 LED Amber Module (x1)	0.9A / 0.4A
3 LED Amber Module (x1)	0.4A / 0.2A
Centre Illumination (x1)	0.4A / 0.2A
External Alley Light (x1)	0.3A / 0.2A
Stop, Tail, Indicator (x1)	0.6A / 0.3A
LED Worklamp (x1)	1.0A / 0.5A

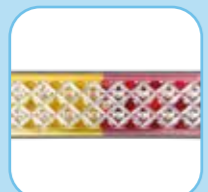
Customisation is Key... Choose from a variety of optional extras and customise Hurricane TITAN to build your ideal lightbar.



Customise the Centre Lens with Illumination and Sign Writing



Amber & Clear Lenses with Optional White Centres



Stop/Tail/Indicator Lights Available



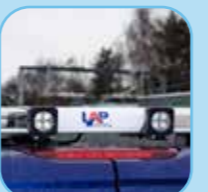
Populate with Additional 3 LED or 6 LED Modules



Choose from 2ft to 6ft Models (610mm - 1800mm)



External LED Alley Lights



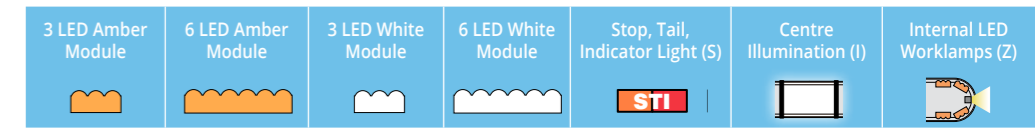
Add External LED Work Lamps for Extra Working Light



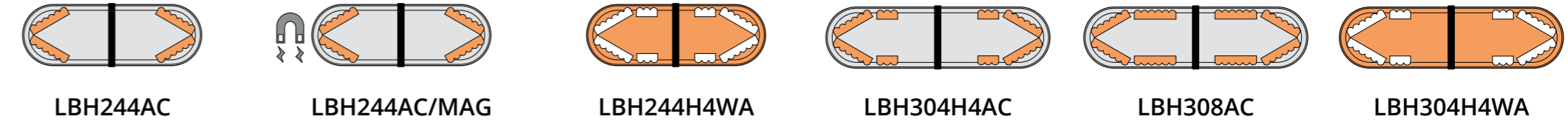
100mm & 150mm 'Z' Brackets for Extra Lightbar Height

Hurricane TITAN LED Lightbar Model Guide

There are hundreds of possible Hurricane TITAN lightbar combinations and below is just a small selection of our most popular bars. Contact the LAP sales team to discuss your ideas or requirements.



2ft/610mm Length

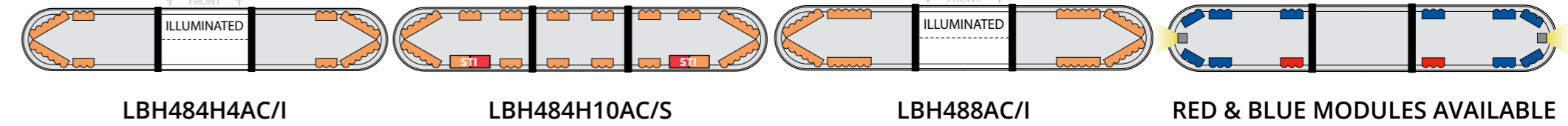


2.5ft/762mm Length

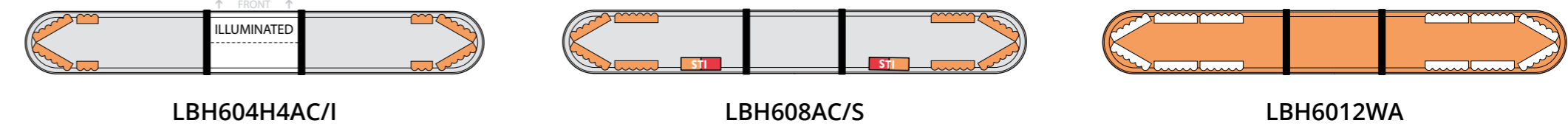
3ft/915mm Length



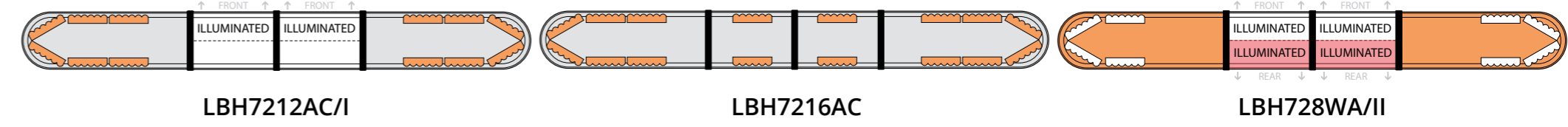
4ft/1220mm Length



5ft/1524mm Length



6ft/1828mm Length

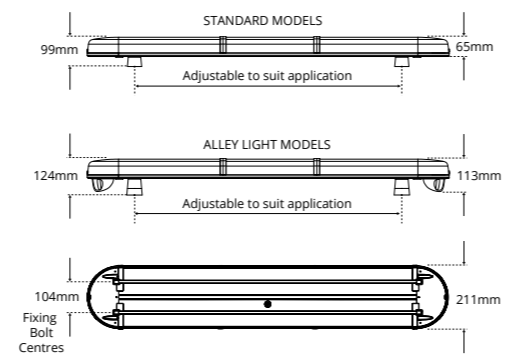
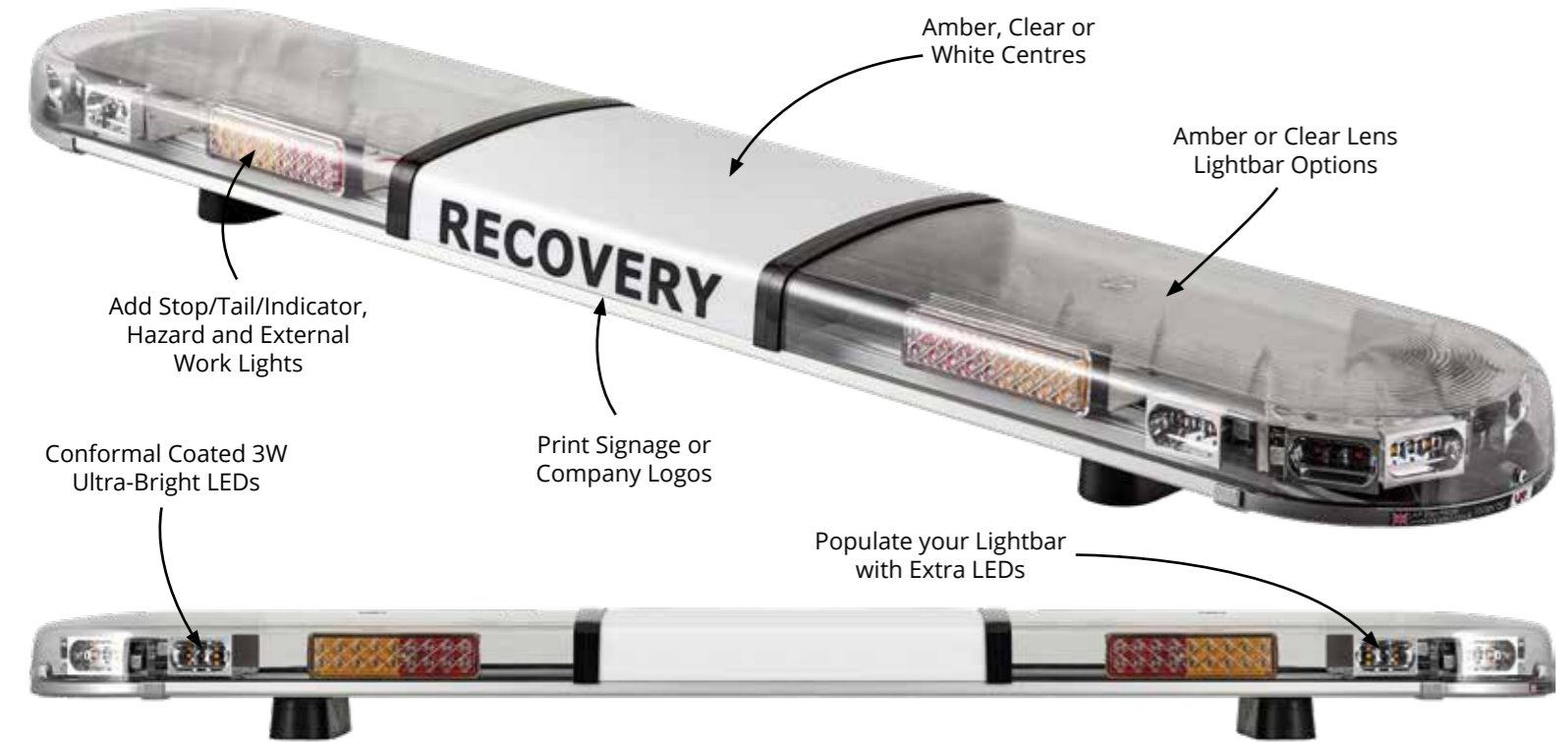




Lightning TITAN

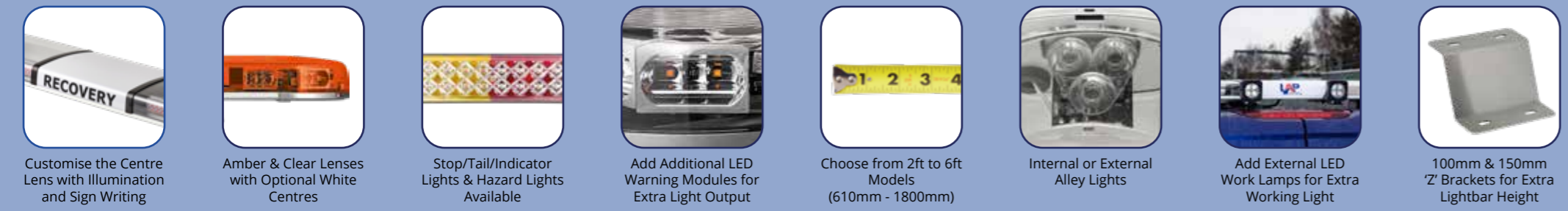


Featuring four ECE R65 approved flash patterns and three operating modes, the Lightning TITAN LED lightbar is a highly versatile addition to our UK manufactured lightbar range.



Components	Current Consumption @ 12V / 24V
R65 LED Amber Module (x1)	0.5A / 0.3A
Centre Illumination (x1)	0.4A / 0.2A
External Alley Light (x1)	0.3A / 0.2A
Hazard Light (x1)	0.3A / 0.2A
Stop, Tail, Indicator (x1)	0.6A / 0.3A
LED Worklamp (x1)	1.0A / 0.5A

Customisation is Key... Choose from a variety of optional extras and customise Lightning TITAN to build your ideal lightbar.



Lightning TITAN LED Lightbar Model Guide

There are hundreds of possible Lightning TITAN lightbar combinations and below is just a small selection of our most popular bars. Contact the LAP sales team to discuss your ideas or requirements.



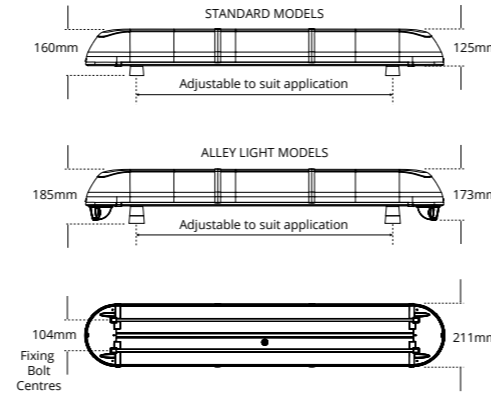
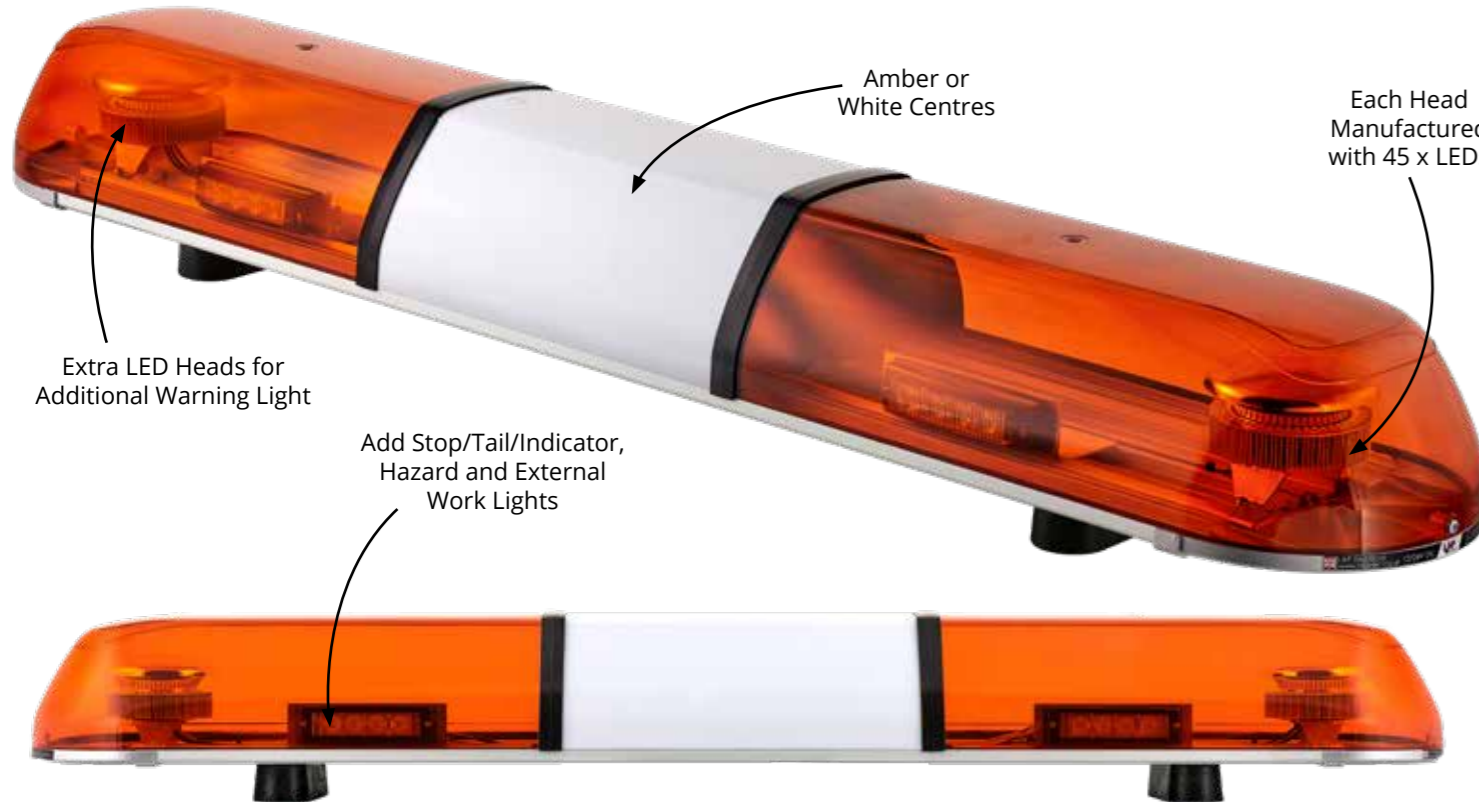
Length	Model 1	Model 2	Model 3	Model 4	Model 5	
2ft/610mm Length	LBL2412AC	LBL2412AC/MAG	LBL2412WA	LBL3012AC	LBL3012AC/S	LBL3016WA
3ft/915mm Length	LBL3612AC/I	LBL3620AC/I	LBL3612AC/X	LBL3612WA	LBL3612WA/O	
4ft/1220mm Length	LBL4812AC/I	LBL4812AC/IS	LBL4836AC	LBL4812WA/IH		
5ft/1524mm Length	LBL6020AC/IS	LBL6036AC	LBL6020WA/O			
6ft/1828mm Length	LBL7212AC/IS	LBL7220AC/ISHA	LBL7252WA			

TORNADO
TITAN
LED LIGHTBAR RANGE

Tornado TITAN



Designed with ECE R65 approved double flash only, the Tornado is the best value member of the TITAN LED family and is supplied with 2 x 45 LED reflector heads as standard.



Components	Current Consumption @ 12V / 24V
R65 LED Module (x1)	2.0A / 1.0A
Centre Illumination (x1)	0.4A / 0.2A
External Alley Light (x1)	0.3A / 0.2A
Hazard Light (x1)	0.3A / 0.2A
Stop, Tail, Indicator (x1)	0.6A / 0.3A
LED Worklamp (x1)	1.0A / 0.5A

Customisation is Key... Choose from a variety of optional extras and customise Tornado TITAN to build your ideal lightbar.

- Customise the Centre Lens with Illumination and Sign Writing
- Additional LED Heads for Extra Light Output
- Stop/Tail/Indicator Lights Available
- Add R65 Approved LED Hazard Warning Lights
- Choose from 2ft to 6ft Models (610mm - 1800mm)
- External LED Alley Lights
- Add External LED Work Lamps for Extra Working Light
- 100mm & 150mm 'Z' Brackets for Extra Lightbar Height

Tornado TITAN LED Lightbar Model Guide

There are hundreds of possible Tornado TITAN lightbar combinations and below is just a small selection of our most popular bars. Contact the LAP sales team to discuss your ideas or requirements.



1.3ft/400mm Length

- CLBT162A/SP
- LBT242A
- LBT242A/MAG

2ft/600mm Length

- LBT302A
- LBT302A/I
- LBT302A/OX

2.5ft/762mm Length

- LBT362A
- LBT362A/O
- LBT362A/I
- LBT362A/S
- LBT362A/SH

3ft/915mm Length

- LBT482A
- LBT482A/OX
- LBT484A
- LBT484A/I

4ft/1220mm Length

- LBT602A/IA
- LBT604A/IH
- LBT604A/S

5ft/1528mm Length

- LBT724A
- LBT724A/S
- LBT724A/IHH

6ft/1800mm Length

ECLIPSE

LED LIGHTBAR RANGE

Eclipse Range



There are five different lengths in the Eclipse range of lightbars starting from 251mm to 1501mm. The fully populated design ensures excellent 360° light output.

LAP1040AC/SP



LAP2156AC



LAP47120AC



Part Number	LED Colour	Dimensions (mm) (L) x (W) x (D)	Number of LEDs	LED Rating	Mounting	Current @ 12V / 24V
LAP1040AC/MAG	Amber	251 x 170 x 49	40	0.5W	Magnetic	1.6A / 0.8A
LAP1040AC/SP	Amber	251 x 170 x 49	40	0.5W	Single Point	1.6A / 0.8A
LAP2156AC	Amber	540 x 226 x 90*	56	0.5W	Four Point	2.3A / 1.2A
LAP3488AC	Amber	860 x 226 x 90*	88	0.5W	Four Point	3.7A / 1.8A
LAP47120AC	Amber	1181 x 226 x 90*	120	0.5W	Four Point	5.0A / 2.5A
LAP59152AC	Amber	1501 x 226 x 90*	152	0.5W	Four Point	6.3A / 3.2A



IP67 Ingress Rated Protection Against Dust & Water



Supplied with Fixing Brackets and Rubber Feet



Fit with 100mm & 150mm 'Z' Brackets for Extra Lightbar Height

JUPITER

LED LIGHTBAR RANGE

Jupiter Range



The Jupiter range has four lightbar lengths to choose from with lengths at 388mm, 694mm, 921mm & 1148mm. ECE R65 and EMC (ECE R10) approved and a fully populated LED design.

LAP1556AC/SP



LAP45164AC



Part Number	LED Colour	Dimensions (mm) (L) x (W) x (D)	Number of LEDs	LED Rating	Mounting	Current @ 12V / 24V
LAP1556AC/MAG	Amber	388 x 220 x 70	56	0.5W	Magnetic	2.3A / 1.2A
LAP1556AC/SP	Amber	388 x 220 x 70	56	0.5W	Single Point	2.3A / 1.2A
LAP28100AC	Amber	694 x 305 x 121	100	0.5W	Four Point	4.2A / 2.1A
LAP37132AC	Amber	921 x 305 x 121	132	0.5W	Four Point	5.5A / 2.8A
LAP45164AC	Amber	1148 x 305 x 121	164	0.5W	Four Point	6.8A / 3.4A



IP67 Ingress Rated Protection Against Dust & Water



Supplied with Fixing Brackets and Rubber Feet



Fit with 100mm & 150mm 'Z' Brackets for Extra Lightbar Height



LAP ELECTRICAL LIMITED

Old Walsall Road
Great Barr
Birmingham
B42 1EA
United Kingdom

Telephone: +44 (0)121 386 7377

Facsimile: +44 (0)121 681 1149

Email: enquiries@lapelec.co.uk

Follow Us on Social Media...



LAP Electrical Ltd



lap_electrical



@LAPelec



LAP Electrical Ltd



LAP Electrical Ltd

Designers,
Manufacturers
and Distributors
of Automotive
Electro-Mechanical
Products



www.lapelec.co.uk