

LRB Range (R65 Approved)

We have combined the latest LED technology with advanced optics to provide this unique ECE Reg 65 LED beacon.



Main Features

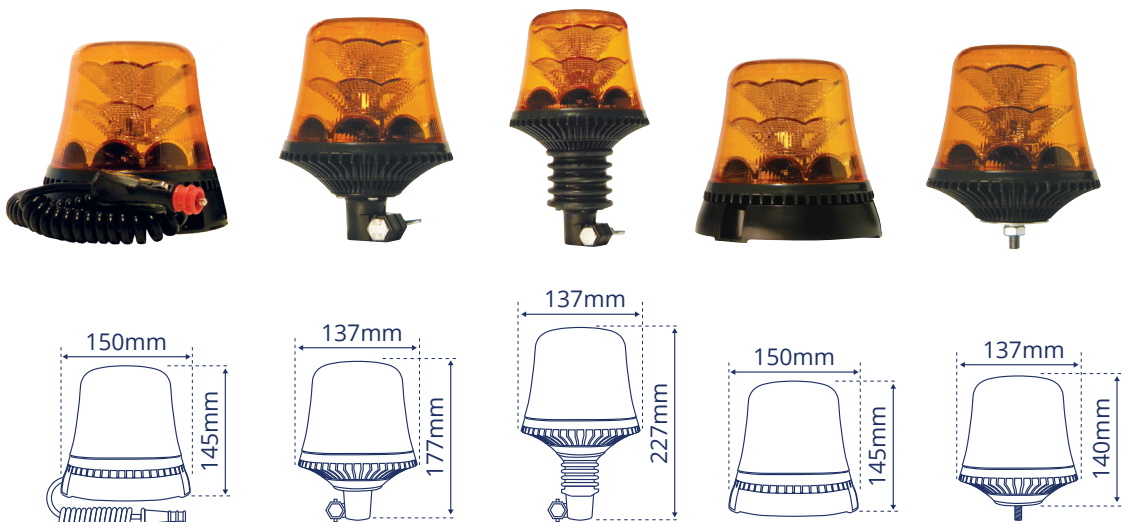
- Multi-voltage (10-30V)
- 70mph rated on magnetic version
- Nominal flash rate: 120 per minute
- Very low power consumption
- Double flash
- Current consumption: 2.0A @ 12V / 1.3A @ 24V
- -30°C to +50°C extreme temperature reliability



Lens Colours Available



Amber



Part Number	LRB020	LRB030	LRB040	LRB050	LRB060
Fitting	Magnetic	DIN	Flexi DIN	3 Point	Single Point
Weight	1.4KG	0.9KG	1.1KG	0.9KG	0.9KG