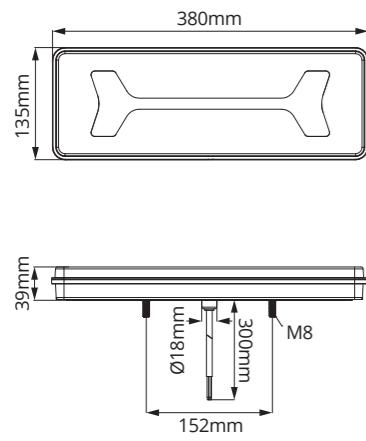


# LAPCV115 & LAPCV118 SERIES

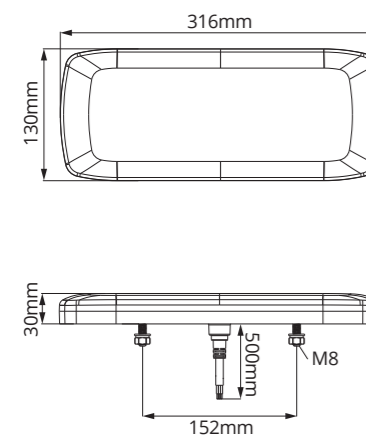
## LARGE LED REAR COMBINATION LAMPS

### LAPCV115



Part Number	Left/Right	Stop	Tail	Indicator Style		Reflex	Fog	Reverse	Licence Plate
				Progressive	Standard				
LAPCV115-L	L	✓	✓	✓	-	✓	✓	✓	-
LAPCV115-R	R	✓	✓	✓	-	✓	✓	✓	-

### LAPCV118

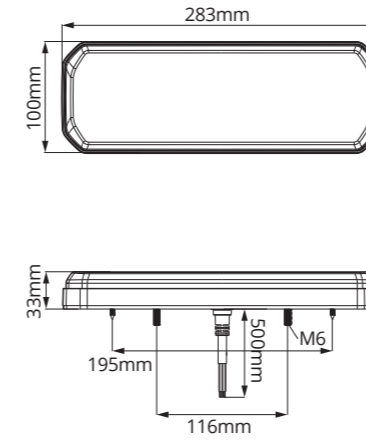


Part Number	Left/Right	Stop	Tail	Indicator Style		Reflex	Fog	Reverse	Licence Plate
				Progressive	Standard				
LAPCV118-L	L	✓	✓	✓	-	✓	✓	✓	-
LAPCV118-R	R	✓	✓	✓	-	✓	✓	✓	-

# LAPCV117 & LAPCV103 SERIES

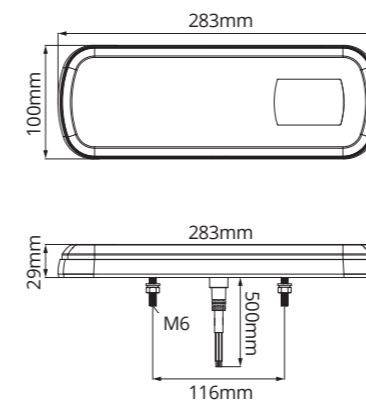
## LARGE LED REAR COMBINATION LAMPS

### LAPCV117



Part Number	Left/Right	Stop	Tail	Indicator Style		Reflex	Fog	Reverse	Licence Plate
				Progressive	Standard				
LAPCV117	L/R	✓	✓	✓	-	✓	✓	✓	-

### LAPCV103

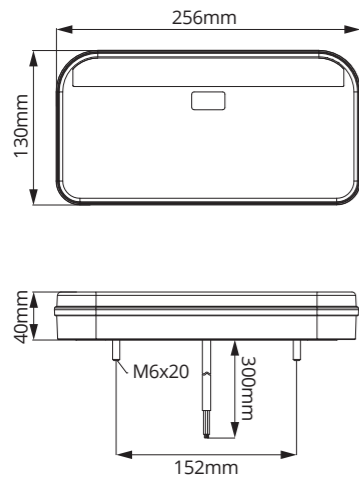


Part Number	Left/Right	Stop	Tail	Indicator Style		Reflex	Fog	Reverse	Licence Plate
				Progressive	Standard				
LAPCV103	L/R	✓	✓	✓	-	✓	✓	✓	-

# LAPCV119 & LAPCV120 SERIES

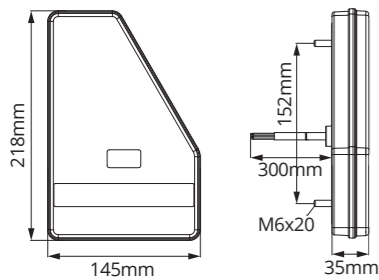
## LARGE LED REAR COMBINATION LAMPS

### LAPCV119



Part Number	Left/Right	Stop	Tail	Indicator Style		Reflex	Fog	Reverse	Licence Plate
				Progressive	Standard				
LAPCV119-L	L	✓	✓	-	✓	✓	✓	✓	-
LAPCV119-R	R	✓	✓	-	✓	✓	✓	✓	-

### LAPCV120

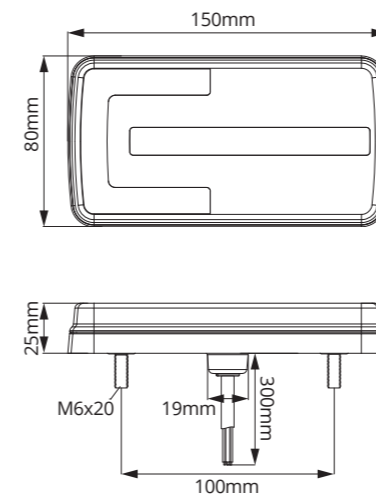


Part Number	Left/Right	Stop	Tail	Indicator Style		Reflex	Fog	Reverse	Licence Plate
				Progressive	Standard				
LAPCV120-L	L	✓	✓	-	✓	✓	✓	✓	-
LAPCV120-R	R	✓	✓	-	✓	✓	✓	✓	-

# LAPCV121 & LAPCV122 SERIES

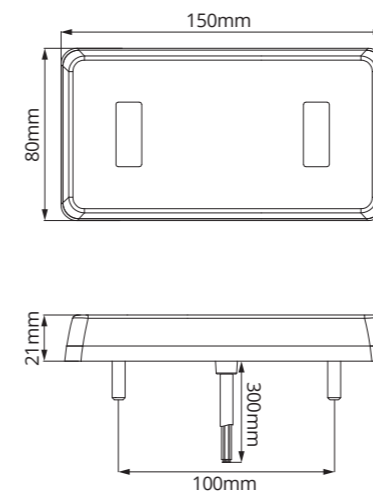
## LARGE LED REAR COMBINATION LAMPS

### LAPCV121



Part Number	Left/Right	Stop	Tail	Indicator Style		Reflex	Fog	Reverse	Licence Plate
				Progressive	Standard				
LAPCV121	L/R	✓	✓	✓	-	✓	-	-	-

### LAPCV122

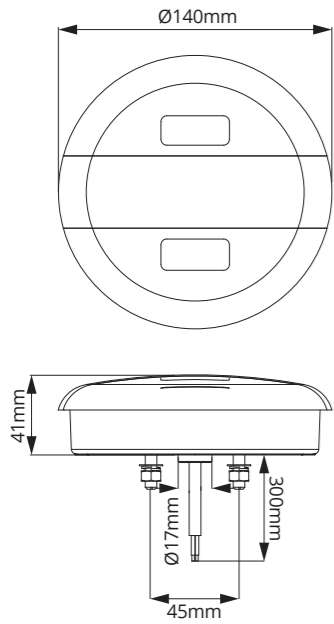


Part Number	Left/Right	Stop	Tail	Indicator Style		Reflex	Fog	Reverse	Licence Plate
				Progressive	Standard				
LAPCV122	L/R	✓	✓	-	✓	✓	-	-	-

# LAPCV123 & LAPCV124 SERIES

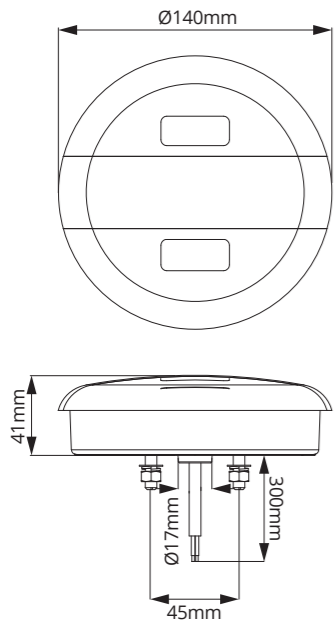
## ROUND LED REAR COMBINATION LAMPS

### LAPCV123



Part Number	Left/Right	Stop	Tail	Indicator Style		Reflex	Fog	Reverse	Licence Plate
				Progressive	Standard				
LAPCV123	L/R	✓	✓	-	✓	✓	-	-	-

### LAPCV124

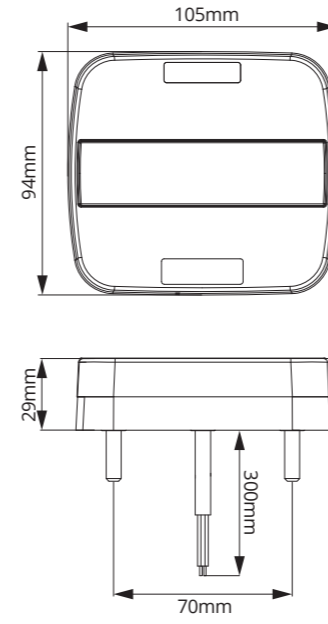


Part Number	Left/Right	Stop	Tail	Indicator Style		Reflex	Fog	Reverse	Licence Plate
				Progressive	Standard				
LAPCV124	L/R	-	-	-	-	✓	✓	✓	-

# LAPCV125 & LAPCV126 SERIES

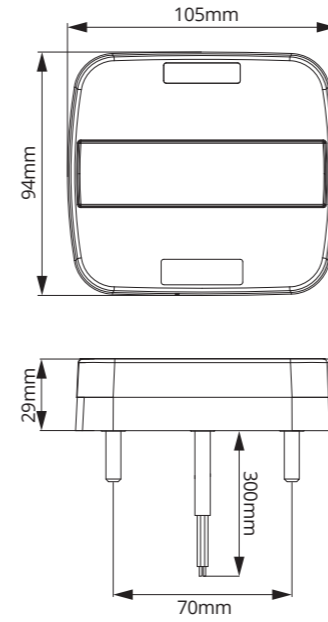
## SQUARE LED REAR COMBINATION LAMPS

### LAPCV125



Part Number	Left/Right	Stop	Tail	Indicator Style		Reflex	Fog	Reverse	Licence Plate
				Progressive	Standard				
LAPCV125	L/R	✓	✓	-	✓	✓	-	-	✓

### LAPCV126

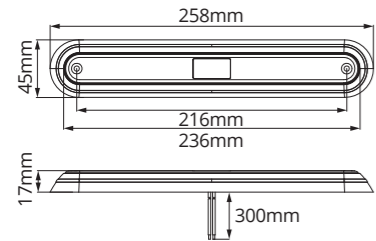


Part Number	Left/Right	Stop	Tail	Indicator Style		Reflex	Fog	Reverse	Licence Plate
				Progressive	Standard				
LAPCV126	L/R	✓	✓	-	✓	✓	-	-	-

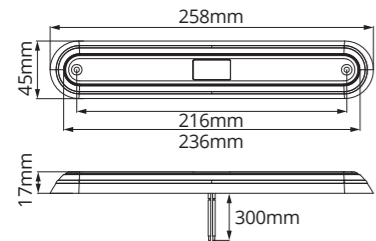
# LAPCV127, LAPCV128, LAPCV129, LAPCV130 SERIES

LOW PROFILE LED REAR STRIP LAMPS

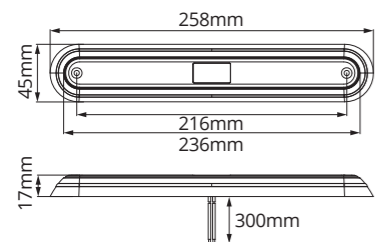
## LAPCV127



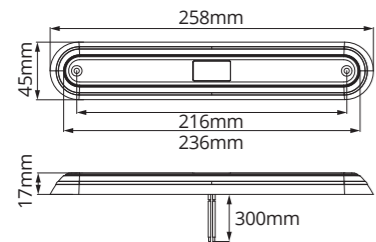
## LAPCV128



## LAPCV129



## LAPCV130

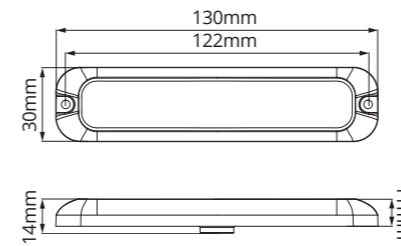


Part Number	Left/Right	Stop	Tail	Indicator Style		Reverse	Surface Mount Bezel	Recess Mount Gasket
				Progressive	Standard			
LAPCV127	L/R	✓	✓	-	✓	-	✓	✓
LAPCV128	L/R	-	-	-	✓	-	✓	✓
LAPCV129	L/R	✓	✓	-	-	-	✓	✓
LAPCV130	L/R	-	-	-	-	✓	✓	✓

# LAPCV125 & LAPCV126 SERIES

MINI LED REAR COMBINATION LAMP & LICENCE PLATE LAMP

## LAPCV135



### ALSO AVAILABLE



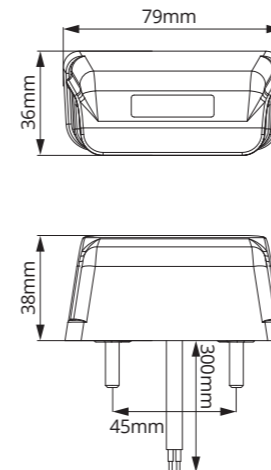
'HLED' Amber LED Warning Light Range



Stop, Tail and Indicator Functions

Part Number	Left/Right	Stop	Tail	Indicator Style		Reflex	Fog	Reverse	Licence Plate
				Progressive	Standard				
LAPCV135	L/R	✓	✓	-	✓	-	-	-	-

## LAPCV223

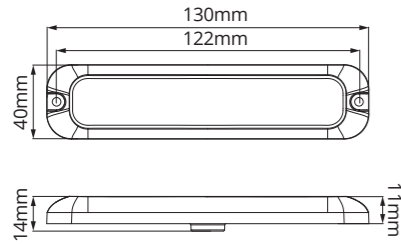


Part Number	Left/Right	Stop	Tail	Indicator Style		Reflex	Fog	Reverse	Licence Plate
				Progressive	Standard				
LAPCV223	N/A	-	-	-	-	-	-	-	✓

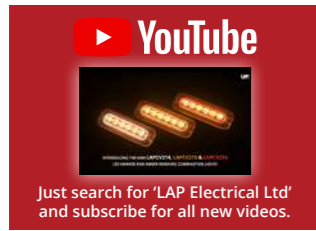
# LAPCV214, LAPCV215, LAPCV216 SERIES

## MARKER & HAZARD LED COMBINATION LIGHTS

### LAPCV214



### LAPCV215



### LAPCV216



White, Amber or Red Marker Lights Combined with Central R65 Class II Amber Warning Light

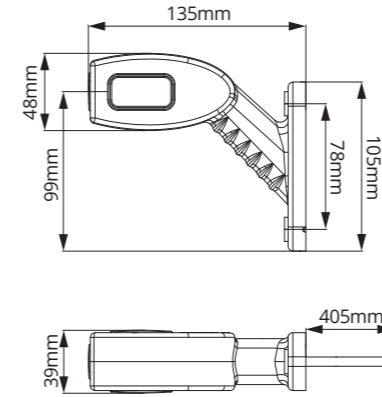


Part Number	LED Marker Colour	Marker Function			Central R65 Approved Amber Warning
		Front	Side	Rear	
LAPCV214	White	✓	-	-	✓
LAPCV215	Amber	-	✓	-	✓
LAPCV216	Red	-	-	✓	✓

# LAPCV305 & LAPCV306 SERIES

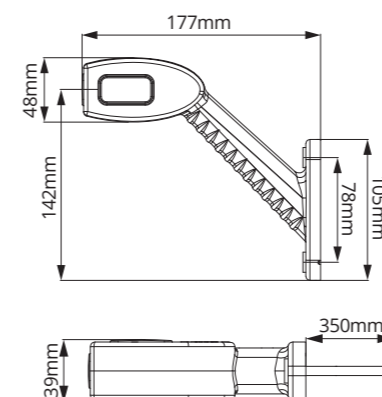
## HEAVY DUTY RUBBER LED MARKER LIGHTS

### LAPCV305



Part Number	Left/Right	Marker Function		
		Front	Side	Rear
LAPCV305-L	L	✓	✓	✓
LAPCV305-R	R	✓	✓	✓

### LAPCV306

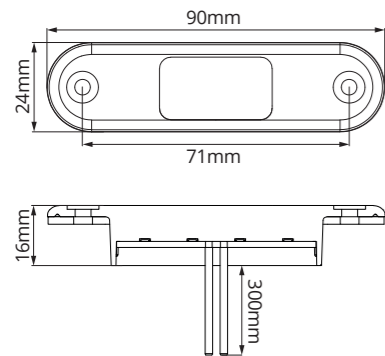


Part Number	Left/Right	Marker Function		
		Front	Side	Rear
LAPCV306-L	L	✓	✓	✓
LAPCV306-R	R	✓	✓	✓

# LAPCV222 & LAPCV230 SERIES

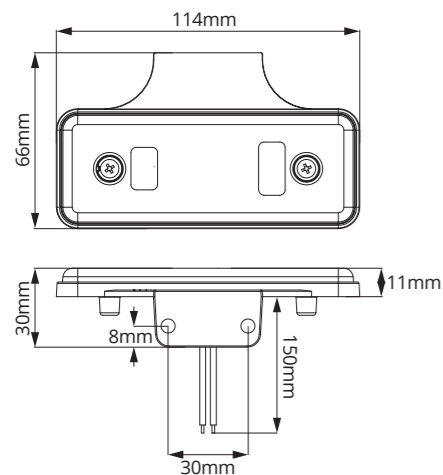
## FRONT, SIDE & REAR LED MARKER LIGHTS

### LAPCV222



Part Number	LED Colour	Marker Function		
		Front	Side	Rear
LAPCV222-W	White	✓	-	-
LAPCV222-A	Amber	-	✓	-
LAPCV222-R	Red	-	-	✓
LAPCV222-B	Blue	-	-	-
LAPCV222-G	Green	-	-	-

### LAPCV230

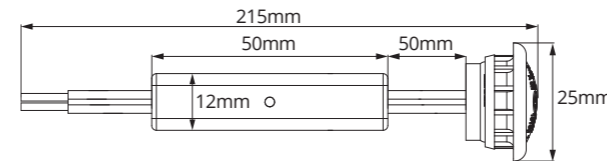


Part Number	LED Colour	Removable Bracket Included	Marker Function		
			Front	Side	Rear
LAPCV230-W	White	✓	✓	-	-
LAPCV230-A	Amber	✓	-	✓	-
LAPCV230-R	Red	✓	-	-	✓

# LAPCV218 & 227 INTERIOR LIGHT SERIES

## MINI ROUND LED MARKER & INTERIOR LIGHTS

### LAPCV218



Part Number	LED Colour	Marker Function		
		Front	Side	Rear
LAPCV218-W	White	✓	-	-
LAPCV218-A	Amber	-	✓	-
LAPCV218-R	Red	-	-	✓

### INTERIOR LIGHTING



#### MAIN FEATURES

- Multi-voltage (10-30V)
- Three standard lengths (245, 400 & 555mm)
- Clear lens and frosted lenses available
- Manufactured with integral on/off switch
- Dimensions: 25mm (W) x 16mm (H)
- Supplied with 100mm cable length

Part Number	Lumens	LEDs	Length	Lens Style
22785CKS-WV	600	9	245mm	Frosted
22776CKS-WV	1197	18	400mm	Frosted
22761S-12/24V	180	9	245mm	Clear
22757S-12/24V	360	18	400mm	Clear
22762S-12/24V	540	27	555mm	Clear

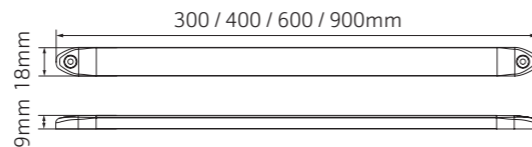
# INTERIOR LIGHTING



## MAIN FEATURES

- 12V and 24V models
- Four standard lengths (300, 400, 600 & 900mm)
- Custom lengths available upon request
- Direct feed, touch switch & PIR functions
- 9mm low profile design
- 6000K cool white colour temperature
- Supplied with 300mm cable length

## DIMENSIONS



## DIRECT FEED



**Direct Feed**  
Simple direct feed function

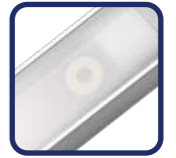
### DIRECT FEED - 12V MODELS

Part Number	Length	Function	Lumens
LAP300DF/12V	300mm	Direct Feed	312
LAP400DF/12V	400mm	Direct Feed	442
LAP600DF/12V	600mm	Direct Feed	780
LAP900DF/12V	900mm	Direct Feed	1112

### DIRECT FEED - 24V MODELS

Part Number	Length	Function	Lumens
LAP300DF/24V	300mm	Direct Feed	312
LAP400DF/24V	400mm	Direct Feed	442
LAP600DF/24V	600mm	Direct Feed	780
LAP900DF/24V	900mm	Direct Feed	1112

# TOUCH SWITCH



**On/Off Touch Switch**  
Manufactured with touch sensitive on/off switch

### TOUCH ON/OFF SWITCH - 12V MODELS

Part Number	Length	Function	Lumens
LAP300TS/12V	300mm	Touch Switch	312
LAP400TS/12V	400mm	Touch Switch	442
LAP600TS/12V	600mm	Touch Switch	780
LAP900TS/12V	900mm	Touch Switch	1112

### TOUCH ON/OFF SWITCH - 24V MODELS

Part Number	Length	Function	Lumens
LAP300TS/24V	300mm	Touch Switch	312
LAP400TS/24V	400mm	Touch Switch	442
LAP600TS/24V	600mm	Touch Switch	780
LAP900TS/24V	900mm	Touch Switch	1112

## PIR MOTION SENSOR



**PIR Motion Sensor**  
Manufactured with PIR motion sensor for touch-free operation

### PIR MOTION SENSOR - 12V MODELS

Part Number	Length	Function	Lumens
LAP300PIR/12V	300mm	PIR Sensor	312
LAP400PIR/12V	400mm	PIR Sensor	442
LAP600PIR/12V	600mm	PIR Sensor	780
LAP900PIR/12V	900mm	PIR Sensor	1112

### PIR MOTION SENSOR - 24V MODELS

Part Number	Length	Function	Lumens
LAP300PIR/24V	300mm	PIR Sensor	312
LAP400PIR/24V	400mm	PIR Sensor	442
LAP600PIR/24V	600mm	PIR Sensor	780
LAP900PIR/24V	900mm	PIR Sensor	1112

# INTERIOR LIGHTING



## MAIN FEATURES

- Multi-voltage (10-30V)
- Round and rectangular options
- Heavy duty metal housing
- Direct feed, touch switch & PIR functions
- Manufactured with 1W OSRAM LEDs
- 6000K cool white colour temperature
- IP68 ingress protection
- Supplied with 200mm cable length
- PIR sensor models with 40 seconds continuous illumination period

## LAPCV413



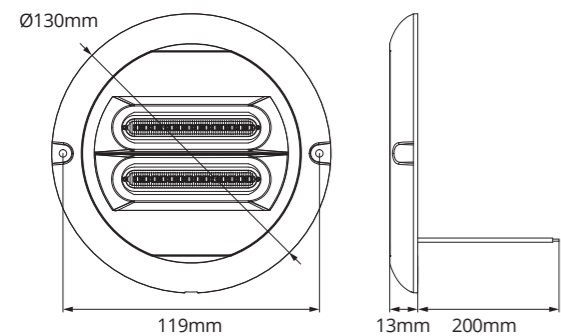
LAPCV413/DF



LAPCV413/TS



LAPCV413/PIR



Part Number	OSRAM LEDs	Function	Lumens
LAPCV413/DF	28 x 1W	Direct Feed	2000
LAPCV413/TS	28 x 1W	Touch Switch	2000
LAPCV413/PIR	28 x 1W	PIR Sensor	2000

## LAPCV414



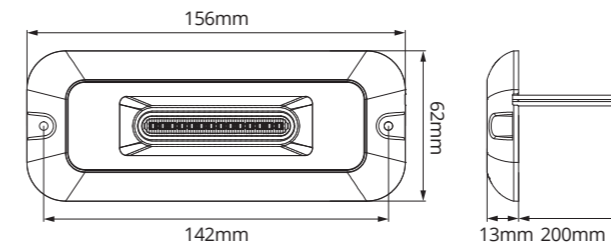
LAPCV414/DF



LAPCV414/TS



LAPCV414/PIR



Part Number	OSRAM LEDs	Function	Lumens
LAPCV414/DF	14 x 1W	Direct Feed	1200
LAPCV414/TS	14 x 1W	Touch Switch	1200
LAPCV414/PIR	14 x 1W	PIR Sensor	1200

## LAPCV415



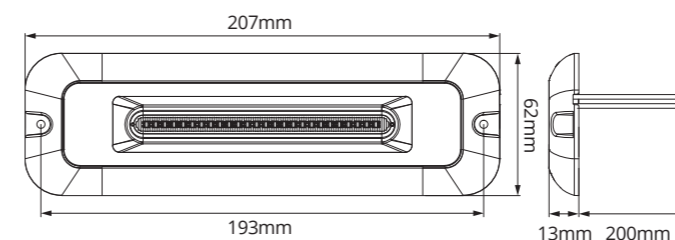
LAPCV415/DF



LAPCV415/TS



LAPCV415/PIR



Part Number	OSRAM LEDs	Function	Lumens
LAPCV415/DF	26 x 1W	Direct Feed	2200
LAPCV415/TS	26 x 1W	Touch Switch	2200
LAPCV415/PIR	26 x 1W	PIR Sensor	2200